

wind training



A sustainable, multi-dimensional seating family is born, with great design and perfect comfort. Along with the naissance of wind, we know that professional handling is as important as convincing aesthetics. As a result, most of the raw materials for wind can be recycled.

Wind series include a broad application range, fantastic scope of colours, ergonomics and great comfort at a sensible price. This award-winning family is sure to be the best seating throughout your life.

product features:

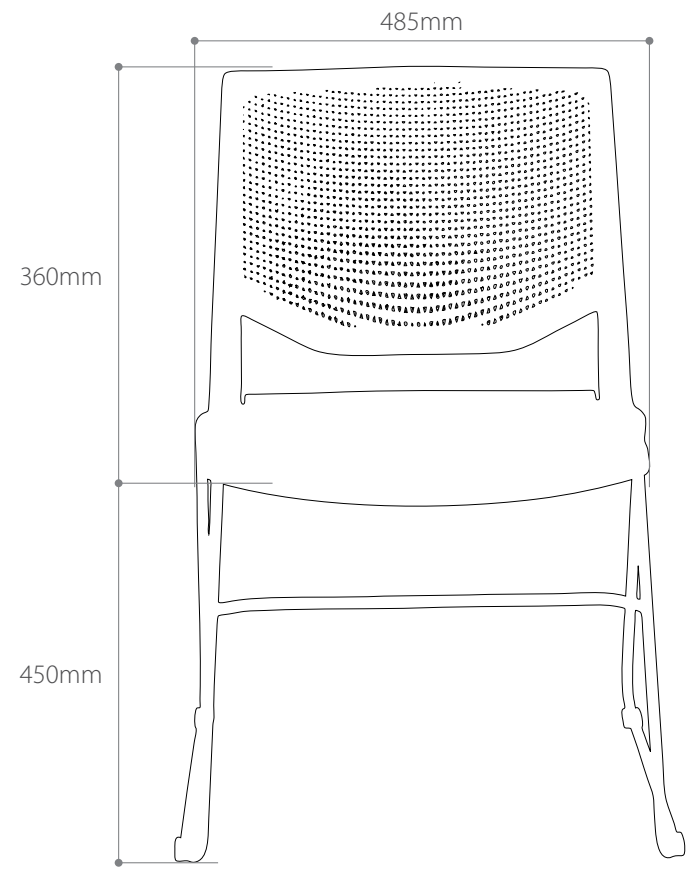
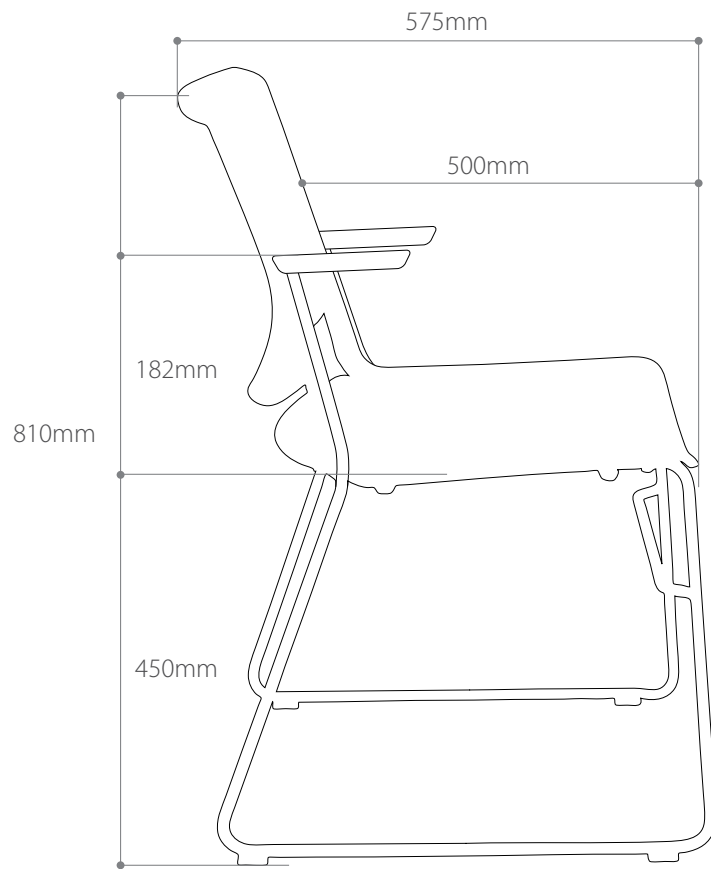
- Chrome frame
- Powdercoat frame on indent basis
- Polypropylene or upholstered seat
- Polypropylene or upholstered back
- With or without arms
- Stacks 12 high
- Solid 12mm bar sled frame
- Approximate weight loading of 110kg



For more information

phone: 13 ERGO (13 3746)
email: sales@gcfau.com.au
web: www.gcfau.com.au

wind training



For more information

phone: 13 ERGO (13 3746)
email: sales@gcfau.com.au
web: www.gcfau.com.au